





Housing and cover: in die-cast aluminium and designed with a very small surface exposed to wind. Cooling fins are integrated into the cover.

Pole connection: in die-cast aluminium and with gaskets to secure the frame according to different inclinations. Adjustable ranges: between 0° and 15° for side mount; and between 0° and 10° for mast-top mounting. Inclination pace: 5°. Suited for poles with a diameter 63-60mm

Diffuser: clear, tempered glass, 4 mm thick, resistant to thermal shock and impacts (UNI-EN 12150-1 : 2001)

Coating: the standard powder coating consists of a first metal surface pre-treatment stage and of single layer of UV-stabilised, corrosion and salt resistant polyester powder coating.



On request: coating compliant with UNI EN ISO 9227 Corrosion tests in artificial atmospheres for aggressive environments.

Standard supply: Automatic temperature control inside the device with automatic resetting. Safety diode to protect against voltage peaks compliant with EN 61547. With dedicated electronic device to protect the LED module.

Equipment: complete with IP67 airtight connector for mains connection. Supplied with double insulation switch that cuts off electricity when the cover is open.



Low Flicker: product with a very low flicker; uniform light for greater eye protection.

Photometric performance: designed with an optical system capable of controlling the potential glare created by the growing light intensity of LEDs while achieving high photometric performance. This allows the application in street lighting schemes where there is a significant distance between the poles. In these cases, greater light control is reached with the optics equipped with auxiliary lens.

Optical system: the modularity of the optical system, the solutions used for the electronic circuit design and the optimal control of operating temperatures, make the Stelvio line a highly professional, flexible and reliable product, capable of guaranteeing huge application advantages in several situations.

Heat sink: the heat dissipation system is specially designed and made to allow the operation of the LED lights with temperatures ensuring excellent performance/efficiency and durability.

What is a smart city?

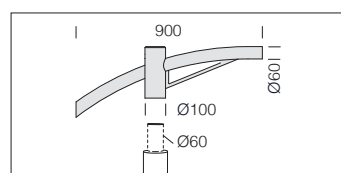
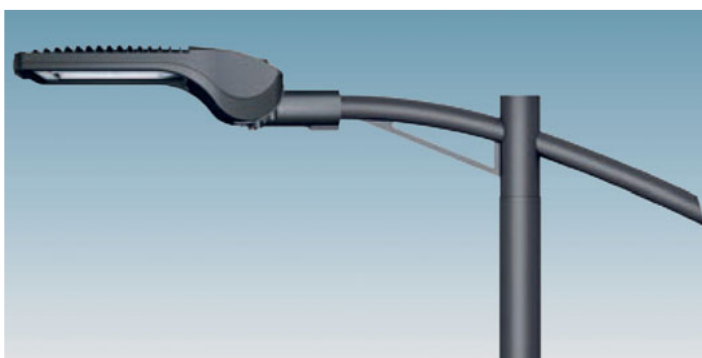
A smart city is a city where there is a better quality of life and where public spaces can help citizens achieve their full potential and move more freely, while saving time and respecting the environment. The intelligence of a «Smart City» is a distributed, shared, horizontal and social intelligence. It is an intelligence that promotes the participation of citizens and the organization of the city towards a greater optimization of resources and results. Energy consumption, public resource use and time are all optimized. With the Web and the new technologies, access to services is easier and public spaces can be organized to favour mobility, save time and turn our cities smarter. Remote management systems make objects more intelligent and recognizable, so that they can communicate data and provide access to aggregated information. Thanks to a more efficient use of the Web, everything within a city (urban fittings, public buildings, monuments, etc.) can play an active role and become collectors and distributors of information about traffic, energy consumption, services and assistance to citizens, cultural and touristic attractions and much more.



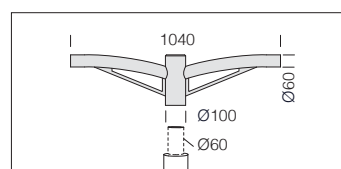
The fixture can be equipped with a control system to manage the dimming 1-10 V line for incoming and outgoing data.

Table for the various options for managing the supply point

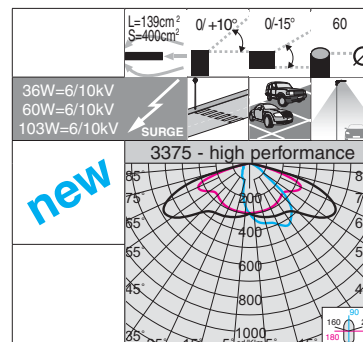
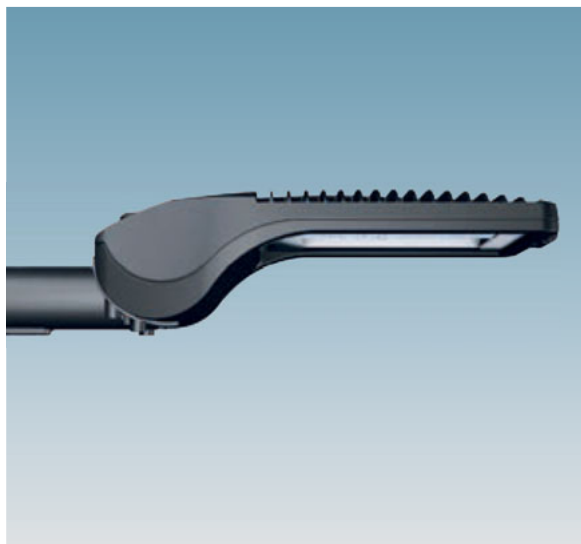
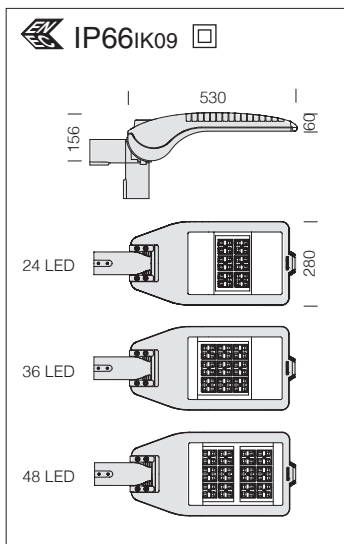
1-10V dimming	Virtual midnight	PLC remote control	Wi-Fi remote control (to be agreed upon)
Adjustment range from 10%-100% with 1-10V	Autonomous system with flux reduction and surge protector 6/10 KV	Point-to-point and system management and diagnosis system	Point-to-point and system management and diagnosis system with Wi-Fi system
Ordered with sub-code -12	Ordered with sub-code -30	Ordered with sub-code -0078	on request
Upon request: available with AC/DC converter as standard to allow operation in public lighting systems.			

**acc. 504 single arm**

anthrac.	991264-00
Suited for poles with a diameter 60mm.	

**acc. 508 double arm**

anthrac.	991265-00
Suited for poles with a diameter 60mm.	

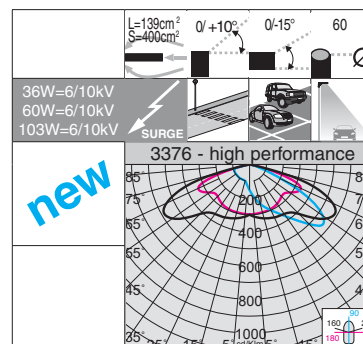
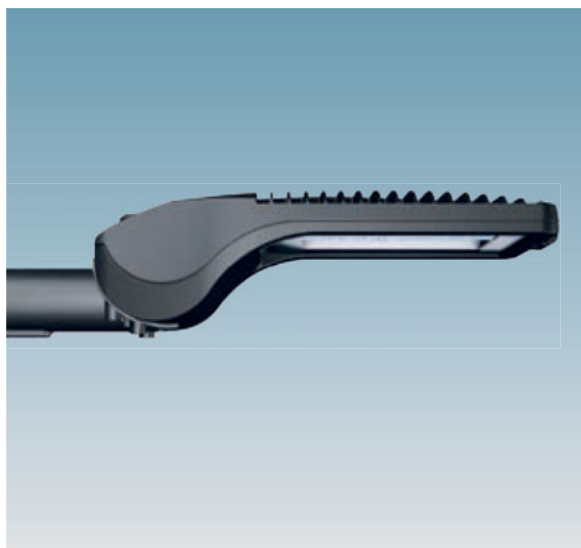
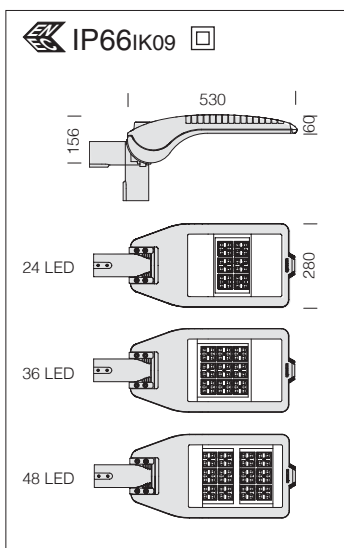


Optics: in PMMA, highly resistant to temperature and UV radiation.

LED: Power factor ≥ 0.9 .
Luminous flux maintenance 80%: 50.000h (L80B20).

3375 Mini Stelvio - high performance					
		CLD CELL		LUMEN OUTPUT (tq= 25 °C)	
wattage	colour	weight	code	W tot	K - ϕ lm - CRI
LED	anthracite	7.60	340200-00	36	4000K - 5523lm - CRI \geq 70
LED	anthracite	7.60	340200-39		3000K - 5136lm - CRI \geq 70
LED	anthracite	8.00	340201-00	60	4000K - 8262lm - CRI \geq 70
LED	anthracite	8.00	340201-39		3000K - 7684lm - CRI \geq 70
LED	anthracite	8.10	340202-00	103	4000K - 13483lm - CRI \geq 70
LED	anthracite	8.10	340202-39		3000K - 12539lm - CRI \geq 70

On request: possibility to control each individual light point (see table on p. 355).



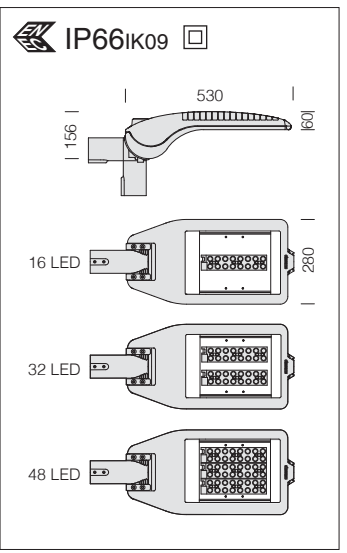
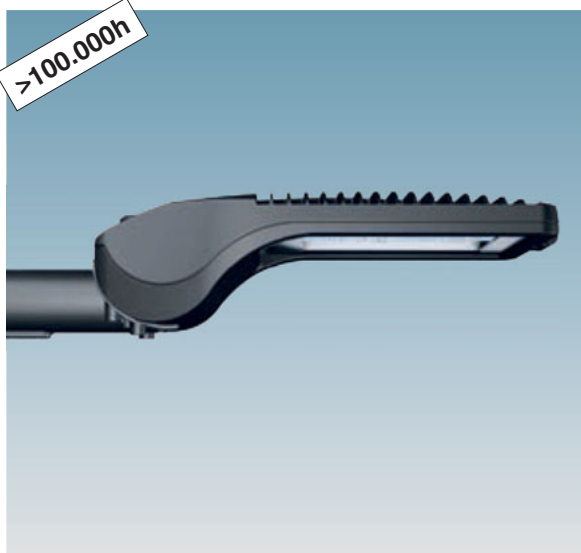
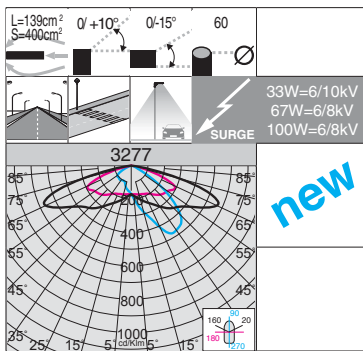
Optics: in PMMA, highly resistant to temperature and UV radiation.

LED: Power factor ≥ 0.9 .
Luminous flux maintenance 80%: 50.000h (L80B20).

3376 Mini Stelvio - high performance - large areas					
		CLD CELL		LUMEN OUTPUT (tq= 25 °C)	
wattage	colour	weight	code	W tot	K - ϕ lm - CRI
LED	anthracite	7.60	340210-00	36	4000K - 5333lm - CRI \geq 70
LED	anthracite	7.60	340210-39		3000K - 4960lm - CRI \geq 70
LED	anthracite	8.00	340211-00	60	4000K - 8129lm - CRI \geq 70
LED	anthracite	8.00	340211-39		3000K - 7560lm - CRI \geq 70
LED	anthracite	8.10	340212-00	103	4000K - 13267lm - CRI \geq 70
LED	anthracite	8.10	340212-39		3000K - 12338lm - CRI \geq 70

On request: possibility to control each individual light point (see table on p. 355).





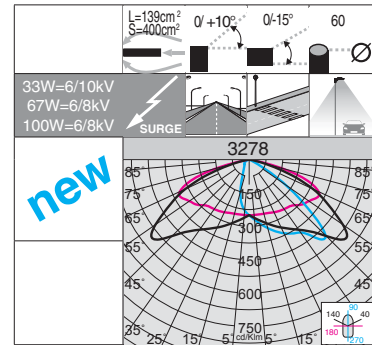
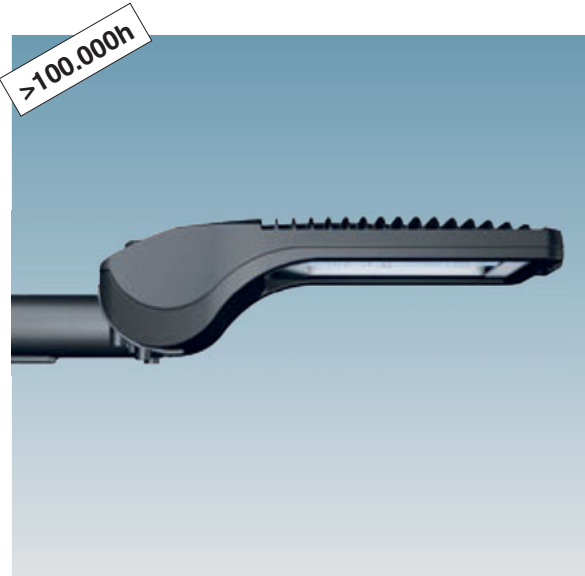
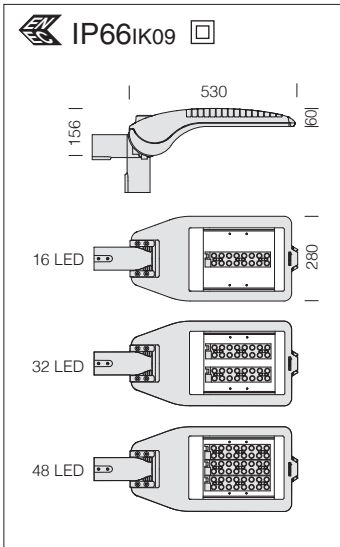
3277 Mini Stelvio Fx T2					
		CLD CELL		W tot	LUMEN OUTPUT (tq= 25 °C)
wattage (700mA)	colour	weight	code		K - ølm 700mA - CRI
LED	anthracite	7.60	330380-00	33	4000K - 3778lm - CRI≥70
LED	anthracite	7.60	330380-39		3000K - 3514lm - CRI≥70
LED	anthracite	8.00	330381-00	67	4000K - 7556lm - CRI≥70
LED	anthracite	8.00	330381-39		3000K - 7027lm - CRI≥70
LED	anthracite	8.10	330383-00	100	4000K - 11329lm - CRI≥70
LED	anthracite	8.10	330383-39		3000K - 10536lm - CRI≥70

On request: possibility to control each individual light point (see table on p. 355).

Optics: in PMMA, highly resistant to temperature and UV radiation.

LED: Power factor ≥0.9. Luminous flux maintenance 80%: 100.000h (L80B10).

	Power supply	n.LED	W tot	K	ølm	n.LED	W tot	K	ølm
On request	350mA	16	17	4000K	2078lm	16	17	3000K	1933lm
		32	32		4156lm	32	32		3865lm
		48	49		6231lm	48	49		5795lm
On request	530mA	16	25	4000K	2834lm	16	25	3000K	2636lm
		32	52		5667lm	32	52		5270lm
		48	74		8497lm	48	74		7902lm

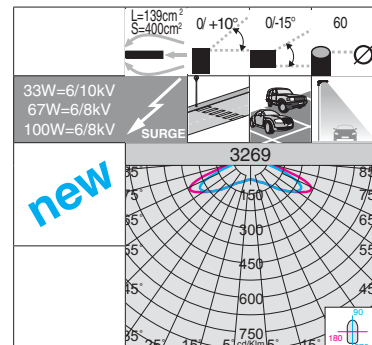
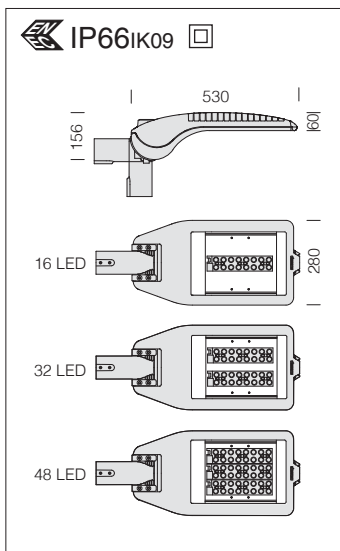


Optics: in PMMA, highly resistant to temperature and UV radiation.

LED: Power factor ≥ 0.9 . Luminous flux maintenance 80%: 100.000h (L80B10).

3278 Mini Stelvio Fx T3						
		CLD CELL		W tot	LUMEN OUTPUT (tq= 25 °C)	
wattage (700mA)	colour	weight	code		K - ølm 700mA - CRI	
LED	anthracite	7.60	330390-00	33	4000K - 3957lm - CRI \geq 70	
LED	anthracite	7.60	330390-39		3000K - 3680lm - CRI \geq 70	
LED	anthracite	8.00	330391-00	67	4000K - 7915lm - CRI \geq 70	
LED	anthracite	8.00	330391-39		3000K - 7361lm - CRI \geq 70	
LED	anthracite	8.10	330393-00	100	4000K - 11867lm - CRI \geq 70	
LED	anthracite	8.10	330393-39		3000K - 11036lm - CRI \geq 70	

	Power supply	n.LED	W tot	K	ølm	n.LED	W tot	K	ølm
On request	350mA	16	17	4000K	2176lm	16	17	3000K	2024lm
		32	32		4353lm	32	32		4048lm
		48	49		6527lm	48	49		6070lm
On request	530mA	16	25	4000K	2968lm	16	25	3000K	2760lm
		32	52		5936lm	32	52		5520lm
		48	74		8900lm	48	74		8277lm



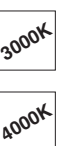
Optics: in PMMA, highly resistant to temperature and UV radiation.

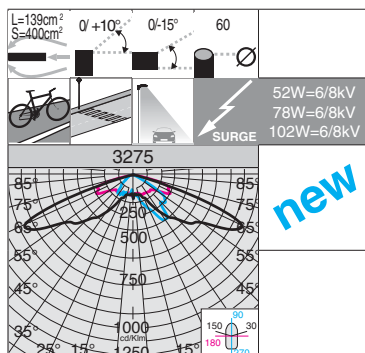
LED: Power factor ≥ 0.9 . Luminous flux maintenance 80%: 100.000h (L80B10).

3269 Mini Stelvio Fx T5						
		CLD CELL		W tot	LUMEN OUTPUT (tq= 25 °C)	
wattage (700mA)	colour	weight	code		K - ølm 700mA - CRI	
LED	anthracite	7.60	330460-00	33	4000K - 3602lm - CRI \geq 70	
LED	anthracite	7.60	330460-39		3000K - 3350lm - CRI \geq 70	
LED	anthracite	8.00	330461-00	67	4000K - 7204lm - CRI \geq 70	
LED	anthracite	8.00	330461-39		3000K - 6700lm - CRI \geq 70	
LED	anthracite	8.10	330463-00	100	4000K - 10806lm - CRI \geq 70	
LED	anthracite	8.10	330463-39		3000K - 10050lm - CRI \geq 70	

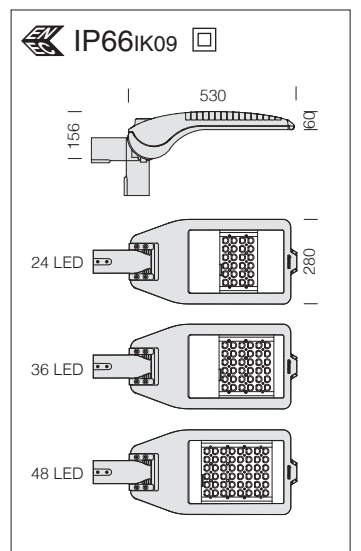
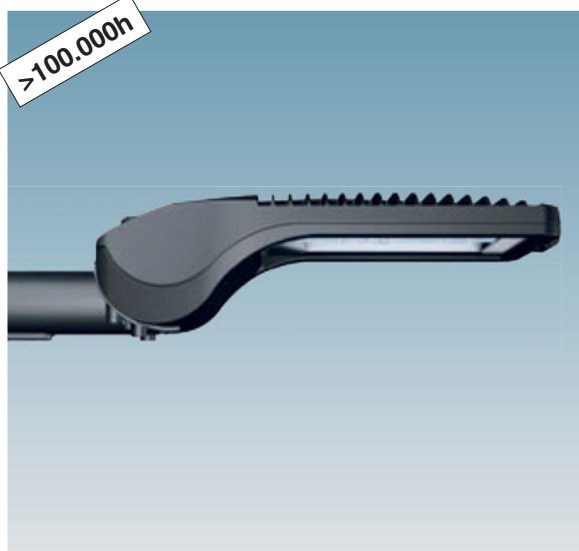
On request: possibility to control each individual light point (see table on p. 355).

	Power supply	n.LED	W tot	K	ølm	n.LED	W tot	K	ølm
On request	350mA	16	17	4000K	2042lm	16	17	3000K	1899lm
		32	32		4085lm	32	32		3799lm
		48	49		6166lm	48	49		5734lm
On request	530mA	16	25	4000K	2637lm	16	25	3000K	2452lm
		32	52		5276lm	32	52		4907lm
		48	74		7913lm	48	74		7359lm





>100.000h

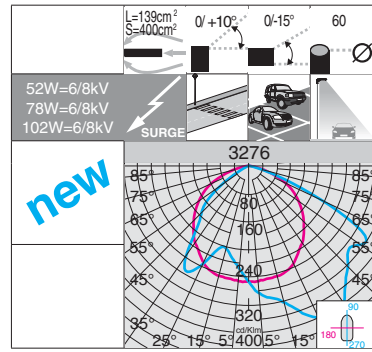
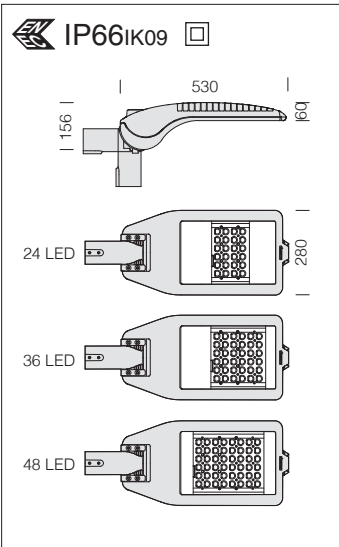


3275 Mini Stelvio plus					
		CLD CELL		W tot	LUMEN OUTPUT (tq= 25 °C)
wattage (700mA)	colour	weight	code		K - ølm 700mA - CRI
LED	anthracite	7.60	330360-00	52	4000K - 5424lm - CRI≥70
LED	anthracite	8.00	330361-00	78	4000K - 8135lm - CRI≥70
LED	anthracite	8.10	330362-00	102	4000K - 10848lm - CRI≥70

On request: possibility to control each individual light point (see table on p. 355).

Optics: in PMMA, highly resistant to temperature and UV radiation.

LED: Power factor ≥0.9.
Luminous flux maintenance 80%:
100.000h (L80B10).



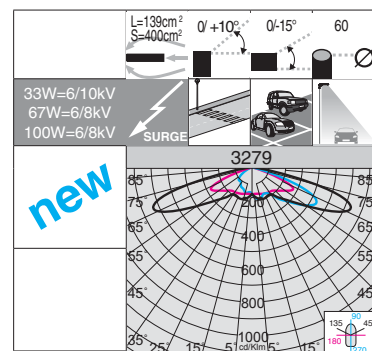
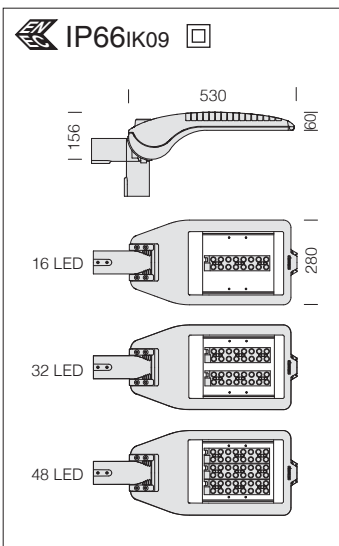
Optics: in PMMA, highly resistant to temperature and UV radiation.

LED: Power factor ≥ 0.9 .
Luminous flux maintenance 80%: 100.000h (L80B10).

3276 Mini Stelvio plus - asymmetric					
		CLD CELL		W tot	LUMEN OUTPUT (tq= 25 °C)
wattage (700mA)	colour	weight	code		K - ølm 700mA - CRI
LED	anthracite	7.60	330370-00	52	4000K - 5502lm - CRI \geq 70
LED	anthracite	8.00	330371-00	78	4000K - 7718lm - CRI \geq 70
LED	anthracite	8.10	330372-00	102	4000K - 10326lm - CRI \geq 70

On request: possibility to control each individual light point (see table on p. 355).

	Power supply	n.LED	W tot	ølm
On request	350mA	24	27	2991lm
		36	39	4488lm
		48	53	5983lm
On request	530mA	24	40	4380lm
		36	60	6569lm
		48	78	8759lm



Optics: in PMMA, highly resistant to temperature and UV radiation.

LED: Power factor ≥ 0.9 .
Luminous flux maintenance 80%: 100.000h (L80B10).

3279 Mini Stelvio Fx T4 - asymmetric					
		CLD CELL		W tot	LUMEN OUTPUT (tq= 25 °C)
wattage (700mA)	colour	weight	code		K - ølm 700mA - CRI
LED	anthracite	7.60	330450-00	33	4000K - 3725lm - CRI \geq 70
LED	anthracite	7.60	330450-39		3000K - 3464lm - CRI \geq 70
LED	anthracite	8.00	330451-00	67	4000K - 7450lm - CRI \geq 70
LED	anthracite	8.00	330451-39		3000K - 6929lm - CRI \geq 70
LED	anthracite	8.10	330453-00	100	4000K - 11164lm - CRI \geq 70
LED	anthracite	8.10	330453-39		3000K - 10383lm - CRI \geq 70

On request: possibility to control each individual light point (see table on p. 355).

	Power supply	n.LED	W tot	K	ølm	n.LED	W tot	K	ølm
On request	350mA	16	17	4000K	2049lm	16	17	3000K	1906lm
		32	32		4098lm	32	32		3811lm
		48	49		6140lm	48	49		5710lm
On request	530mA	16	25	4000K	2794lm	16	25	3000K	2598lm
		32	52		5588lm	32	52		5197lm
		48	74		8373lm	48	74		7787lm